

LT-56/62-NE

Telescopic Aerial Device

WORKING HEIGHT: Up to 68 ft 11 in (21 m)

HORIZONTAL REACH: Up to 31 ft 0 in (9.45 m)

MAXIMUM PLATFORM CAPACITY: Up to 440 lbs (200 kg)



SMART
Extension Limit System

**LIGHTWEIGHT
AERIAL**
with 62' or 68' Working Height

NON-CDL
Chassis

LT-56-NE model shown here.

VERSALIFT

VERSALIFT is a leading global manufacturer of bucket trucks, digger derricks, cable placers and other specialty equipment for use in the power generation, transmission and distribution, investor-owned utility, telecommunications, bridge inspection, light and sign, and forestry industries. Providing equipment sales, service, training, warranty and financing to government agencies, corporations, contractors, co-ops and municipalities through its global network of facilities and distributors, the company employs more than 900 employees worldwide.

LT-56/62-NE

Telescopic Aerial Device



GENERAL SPECIFICATIONS:

(Based on 40 in Frame)

Horizontal Reach

440 lb (200 kg) Platform Capacity 27 ft 10 in (8.48 m)

350 lb (159 kg) Platform Capacity 31 ft 0 in (9.45 m)

Outer Boom Articulation -23° to +85°

Boom Extension

LT-56-NE 27 ft 6 in (8.4 m)

LT-62-NE 31 ft 4 in (9.6 m)

Boom Rotation 360° Continuous

Platform Rotation 180°

WITH STANDARD PEDESTAL:

Height to Bottom of Platform

LT-56-NE 57 ft 11 in (17.65 m)

LT-62-NE 63 ft 11 in (19.48 m)

Working Height

LT-56-NE 62 ft 11 in (19.18 m)

LT-62-NE 68 ft 11 in (21 m)

Stowed Travel Height 11 ft 11 in (3.63 m)

HYDRAULIC SYSTEM:

Operating Pressure 2250 psi (155 bar)

Flow Rate 3 gpm (11.4 lpm)

Filtration 10 micron pressure

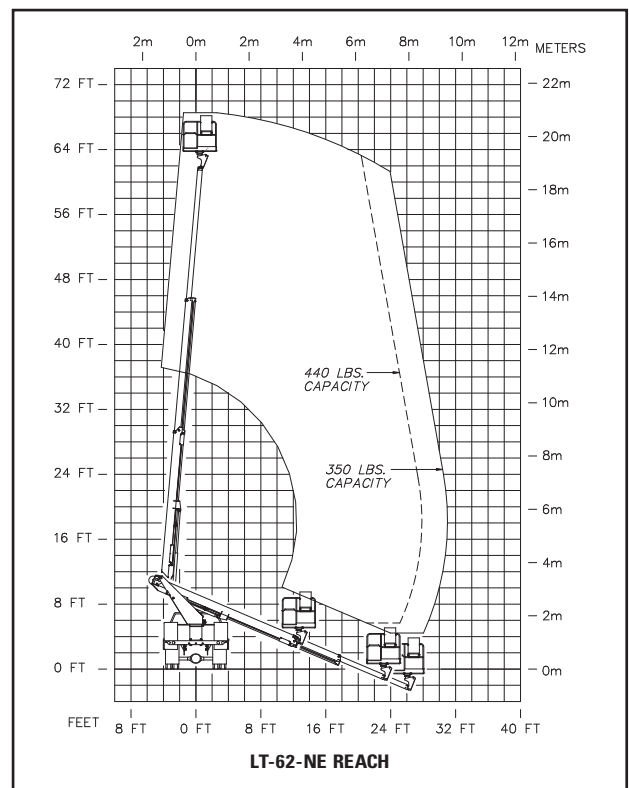
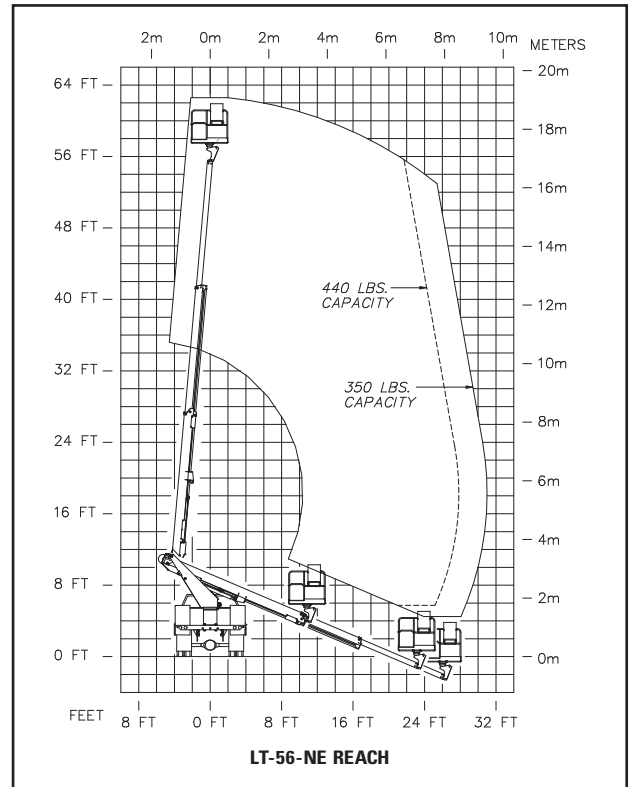
10 micron return

100 mesh suction

System Type Open Center

OPTIONS:

- 120-Volt Wiring
- Additional Slip Rings
- Backup 12-Volt Pump
- Independent A-Frame or H-Frame Outriggers
- Platform Load Capacity Options
- Pneumatic Circuit to Platform



Note: Specifications on units may vary or change without prior notifications due to option selections.