

TEL-31/35-NE

Telescopic Aerial

WORKING HEIGHT: Up to 40' 11"

HORIZONTAL REACH: Up to 20' 7"

PLATFORM CAPACITY: Up to 440 lbs.



The **VERSALIFT** product line has grown to encompass models for every market. Whether it be a 29' man lift or a 108' material handler, there is a **VERSALIFT** to get the job done.

For more information

Versalift
254.399.2100
www.VERSALIFT.com

TEL-31/35-NE

Telescopic Aerial



GENERAL SPECIFICATIONS

	TEL-31-NE	TEL-35-NE
Horizontal Reach	16' 7" (5.05 m)	20' 7" (6.27 m)
Standard Platform Capacity	440 lbs. (200 kg)	440 lbs. (200 kg)
Outer Boom Travel	-25° to +80°	-25° to +80°
Inner Boom Extension	92" (2.34 m)	116" (2.95 m)
Ambient Temperature Range	-40°F (-40°C) to 125°F (52°C)	-40°F (-40°C) to 125°F (52°C)

STANDARD PEDESTAL

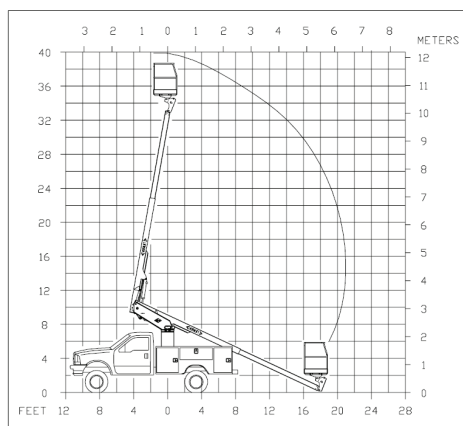
	TEL-31-NE	TEL-35-NE
Height to Bottom of Platform	30' 11" (9.42 m)	34' 11" (10.64 m)
Working Height	35' 11" (10.95 m)	39' 11" (12.17 m)
Stowed Travel Height	10' 10" (3.30 m)	10' 10" (3.30 m)
Weight of Lift w/ Mounting Hardware	1545 lbs. (701 kg)	1575 lbs. (714 kg)

6 IN. (152 MM) TALLER PEDESTAL

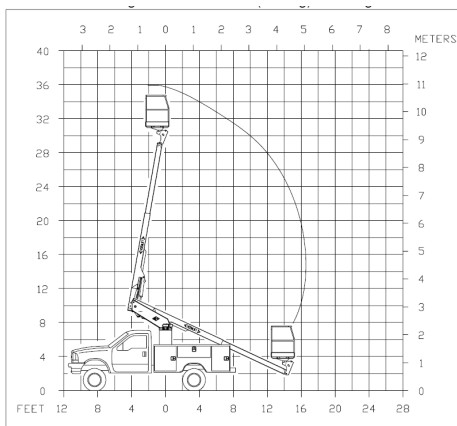
	TEL-31-NE	TEL-35-NE
Height to Bottom of Platform	31' 5" (9.58 m)	35' 5" (10.8 m)
Working Height	36' 5" (11.1 m)	40' 5" (12.32 m)
Stowed Travel Height	11' 4" (3.45 m)	11' 4" (3.45 m)
Weight of Lift w/ Mounting Hardware	1560 lbs. (708 kg)	1590 lbs. (721 kg)

12 IN. (305 MM) TALLER PEDESTAL

	TEL-31-NE	TEL-35-NE
Height to Bottom of Platform	31' 11" (9.73 m)	35' 11" (10.95 m)
Working Height	36' 11" (11.25 m)	40' 11" (12.47 m)
Stowed Travel Height	11' 10" (3.61 m)	11' 10" (3.61 m)
Weight of Lift w/ Mounting Hardware	1575 lbs. (714 kg)	1605 lbs. (728 kg)



TEL-35-NE
Platform Travel



TEL-31-NE
Platform Travel

NOTE:

1. Specifications may vary without prior notice
2. Required GVWR can vary significantly with chassis, lift mounting, location, service body, accessories and desired payload.

OPTIONS:

- 180° Platform Rotation
- Backup Pump
- Individual Upper Controls
- 2-man Steel or Fiberglass Platform Available
- 6" or 12" Taller Platform