

TMD-2042/2045/2047/2050-T

Medium Duty Digger Derrick

- **HORIZONTAL REACH:** Up to 40 ft 10 in (12.4 m)
- **MAXIMUM CAPACITY:** Up to 28,900 lbs (13,110 kg)
- **DIG RADIUS:** Up to 27 ft 10 in (8.5 m)

**BEST IN CLASS
PAYLOAD**

**GREATEST
HORIZONTAL
REACH &
SHEAVE HEIGHT
IN ITS
PRODUCT CLASS**



TMD-2047-T model shown here.

VERSALIFT®

**LOWER TRUE
COST OF
OWNERSHIP**

TMD-2042/2045/2047/2050-T **VERSALIFT**

Medium Duty Digger Derrick

TMD-2042-T

TMD-2045-T

TMD-2047-T

TMD-2050-T

GENERAL SPECIFICATIONS:

Max Platform Capacity	28,900 lb (13110 kg)	27,500 lb (12470 kg)	25,000 lb (11340 kg)	25,000 lb (11340 kg)
Capacity at 10 ft Radius	12,700 lb (5760 kg)	12,400 lb (5620 kg)	11,800 lb (5350 kg)	11,800 lb (5350 kg)

HORIZONTAL REACH:

B1	16 ft 10 in (5.1 m)	17 ft 10 in (5.4 m)	19 ft 10 in (6.0 m)	19 ft 10 in (6.0 m)
B2	24 ft 10 in (7.6 m)	26 ft 10 in (8.2 m)	28 ft 10 in (8.8 m)	30 ft 4 in (9.2 m)
B3	32 ft 10 in (10.0 m)	35 ft 10 in (10.9 m)	37 ft 10 in (11.5 m)	40 ft 10 in (12.4 m)

SHEAVE HEIGHT:

A1	27 ft 5 in (8.4 m)	28 ft 5 in (8.7 m)	30 ft 5 in (9.3 m)	30 ft 5 in (9.3 m)
A2	35 ft 4 in (10.8 m)	37 ft 4 in (11.4 m)	39 ft 4 in (12.0 m)	40 ft 8 in (12.4 m)
A3	43 ft 2 in (13.2 m)	46 ft 1 in (14.1 m)	48 ft 1 in (14.7 m)	51 ft 1 in (15.6 m)

LOAD RADIUS:

R1	3 ft 7 in (1.1 m)	3 ft 8 in (1.1 m)	4 ft 1 in (1.2 m)	4 ft 1 in (1.2 m)
R2	5 ft 0 in (1.5 m)	5 ft 4 in (1.6 m)	5 ft 7 in (1.7 m)	5 ft 11 in (1.8 m)
R3	6 ft 4 in (1.9 m)	6 ft 11 in (2.1 m)	7 ft 2 in (2.2 m)	7 ft 8 in (2.3 m)

DIG RADIUS:

S1	14 ft 4 in (4.4 m)	15 ft 4 in (4.7 m)	17 ft 4 in (5.3 m)	17 ft 4 in (5.3 m)
S2	22 ft 4 in (6.8 m)	24 ft 4 in (7.4 m)	26 ft 4 in (8.0 m)	27 ft 10 in (8.5 m)

OPTIONS:

- 5 ft Underslung Jib
- Various Augers
- Auger Extensions & Adapters
- Synthetic Auger Stow Sling
- Backup 12-Volt Pump
- Downhaul Weight
- Various Winch Lines
- Electronic Overload Protection
- Single & Dual Platform Configurations
- Hydraulic Platform Leveling
- Hydraulic Tools
- Hydraulic Upper Controls
- Various Outriggers
- Various Swivel Hooks
- Taller Pedestal
- Pole Puller Tool Circuit
- Transferable Pole Guide with Interlock
- Electro-Hydraulic Riding Seat Controls with Radio Remote
- Various Digger Drives up to 14,000 ft-lb

HYDRAULIC OPTIONS:

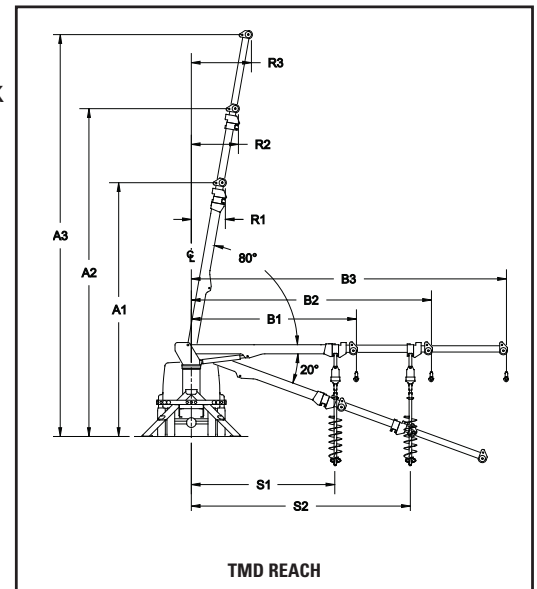
(Open Center Hydraulic System)

- Hydraulic Overload Protection
- Hydraulic Upper Controls with Tool Power
- Full Hydraulic Controls Below Rotation
- Riding Seat with Single Stick or Individual Controls

RADIO CONTROL OPTIONS:

(Closed Center Hydraulic System)

- Electric Overload Protection
- Hard-Wired Controls Below Rotation
- Riding Seat with Hard-Wired Console
- Radio Remote Controls



Note: Specifications on units may vary or change without prior notification due to option selections.

REV. 01/20

VERSALIFT is a leading manufacturer of bucket trucks, digger derricks and cable placers. Customers in the electric utility, telecommunications, forestry and sign, light & traffic industries experience a lower true cost of ownership by choosing Versalift. Our equipment is engineered to be lighter, while keeping the designs simple, which provides advantages like less unscheduled maintenance, greater payloads and ease of maintenance. Versalift has the lowest recall rate in the industry making it the smarter and most reliable choice. Versalift aerial lifts are the only units to feature the patented TruGuard® safety system, which provides additional protection to linemen in the bucket. Versalift is a Time Manufacturing Company, and together with Aspen Aerials has more than 1,400 employees worldwide.