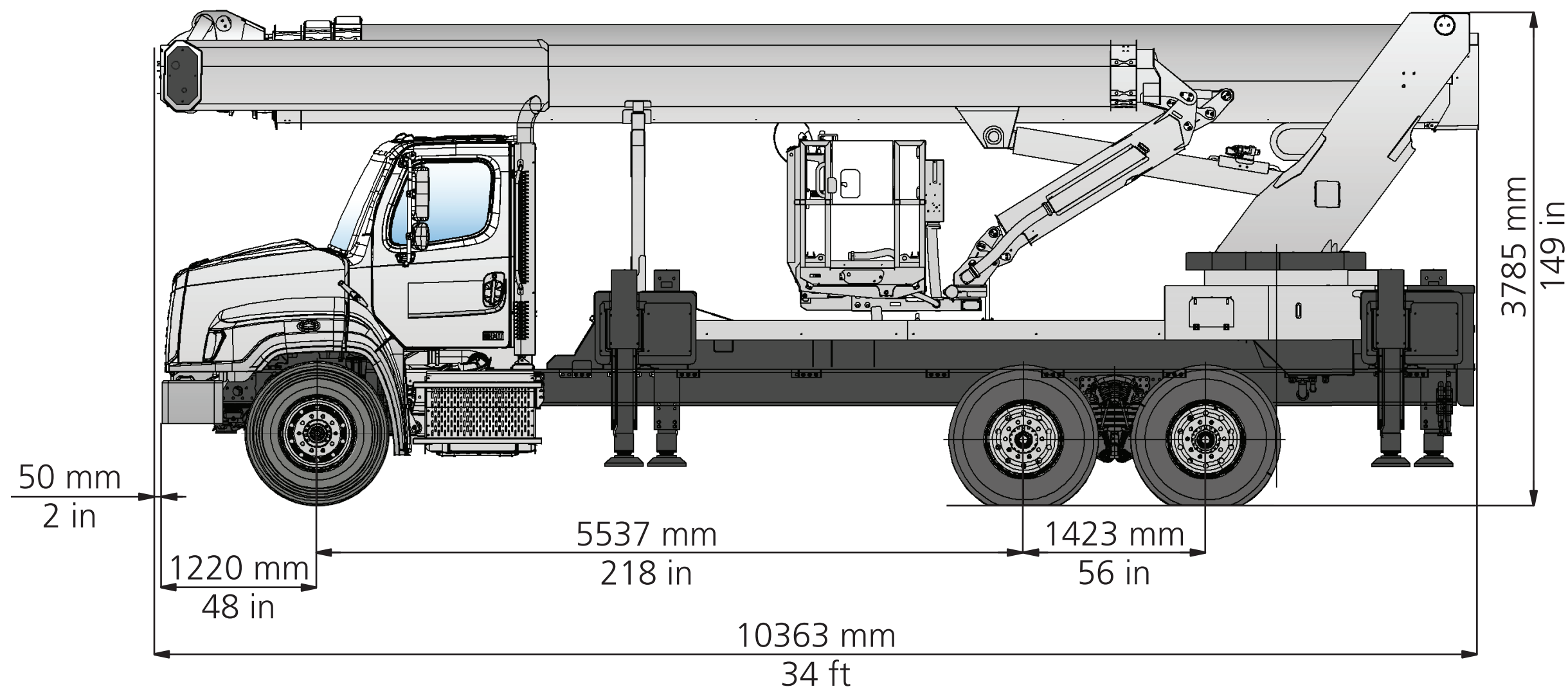


RUTHMANN T 166 A

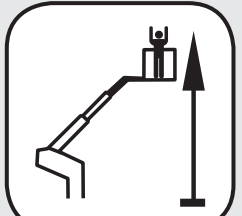
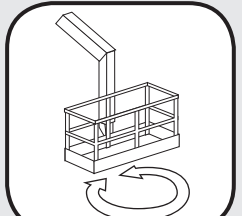
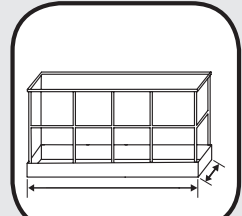
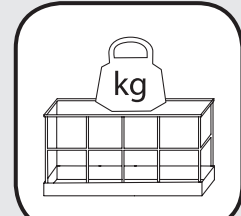
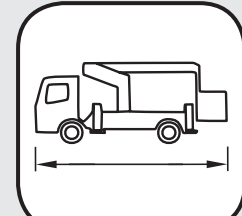
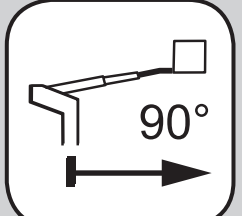
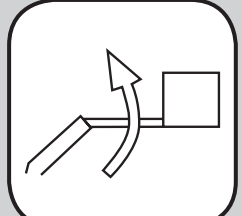
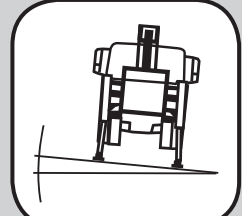
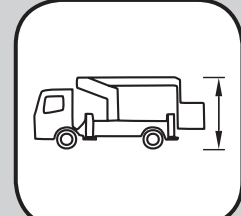
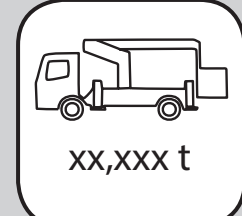


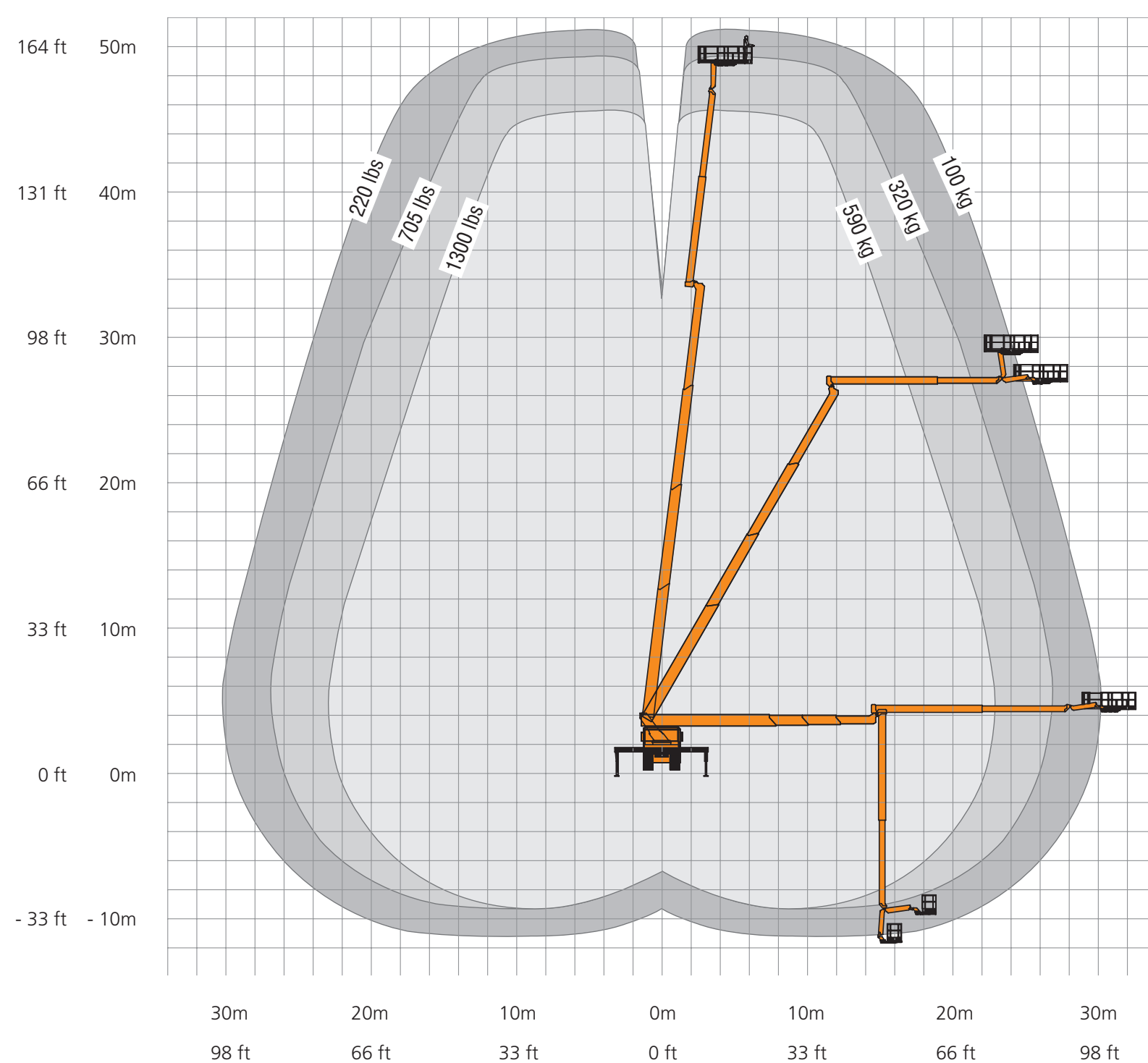
estimated weights
 FA: 15,100 lbs / 6,850 kg
 RA: 28,935 lbs / 13,125 kg
 Total: 44,035 lbs / 19,975 kg

AVAILABLE WITH

DYNAMIC REACH SYSTEM 

RUTHMANN T 166 A

	166 ft 50.6 m		440°		12'6" x 3'2" 3.7m x 1.07m		1300 lbs 590 kg		34'0" 10.4 m
	98 ft 29.9 m		180°		2°		12'5" 3.79 m		44,000 lbs 20,000 kg



Compact package

- + 166 ft (50 m) working height
- + 98 ft (30 m) horizontal outreach
- + 1300 lb. (590 kg) platform capacity
- + Bridge Law Legal
- + 38' (11.5 m) below grade reach
- + Dynamic Reach System Available
- + Multi-beveled boom profile
- + Auto outrigger setting and leveling
- + COCKPIT intelligent control system
- + Freightliner 114SD Chassis
- + ANSI A92.2 and CSA C225 compliant

All data has been included without warranty. All measurements and weights are approximate and refer to the standard basic execution. Technical alterations reserved.