

VERSALIFT VDT-170-F

Chassis mounted telescopic platform



MAN TGL / Mercedes Atego
(7,490 kg GVW)



PTO driven hydraulic
pump



FPC controls with up to
4 actions at a time



Knuckle/turret tailswing
within the mirrors

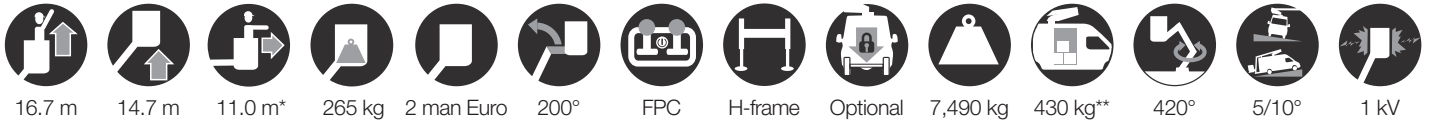


Outriggers within the
mirrors



1 kV certified low
voltage insulation

Available specifications



Dimensions

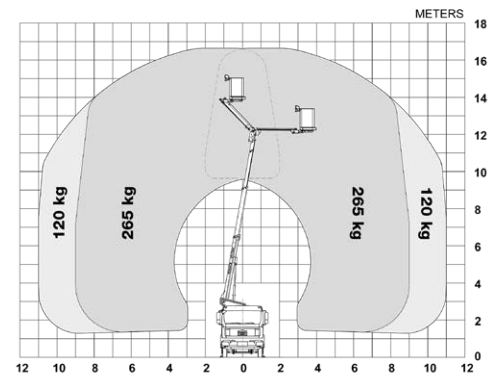


Length: 7,730 mm **Height:** 3,200 mm **Wheelbase:** 3,600 mm

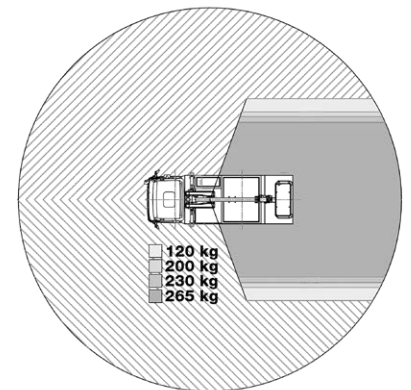
Additional equipment

- Hydraulic axle locking system
- Cabinets for the chassis
- Workshop interior
- Bucket rotator (2 x 85°)***
- Extended bucket (replaces standard bucket)
- Outrigger pads with holders
- Reversing camera
- Drive option (drive the vehicle with raised platform)****
- Load cell (Variable load dependant outreach)
- Home function & limited working area without outriggers

Diagramme(s)



Working envelope



Limited working area without outriggers (optional)

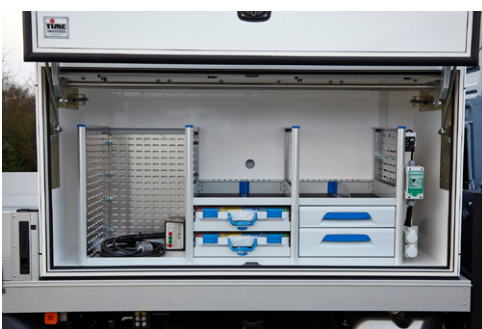
Key features



Rear platform (bucket center stowed)



H-frame outriggers



Cabinets for the chassis (optional)



FPC (Full Proportional CANbus controls): Variable outreach (with load cell) and up to 4 actions at a time

Notes

Technical information is subject to change without prior notice. Images may show optional equipment. Installations and/or options may not be available in your specific region.

* Depending on the vehicle.

** Max payload with a driver, a passenger and a full tank of fuel (290 kg added to the installation weight).

*** Reduced outreach and max 230 kg bucket capacity.

**** Requires the option "Limited working area without outriggers".

Distributor

C656FB (Versalift VDT-170-F on MAN TGL / Mercedes Atego Chassis) - revision 2018/10

www.TimeIntl.dk