

VST-55-HDI

Non-CDL Insulated Articulated/Telescopic Aerial Device

- **WORKING HEIGHT:** Up to 59 ft 6 in (18.2 m)
with Standard Pedestal
- **HORIZONTAL REACH:** Up to 33 ft 5 in (10.2 m)
- **PLATFORM CAPACITY:** Up to 600 lbs (272 kg)
- **JIB CAPACITY (Optional):** Up to 1000 lbs (454 kg)

**BEST
PAYLOAD
IN ITS CLASS**

**JIB & WINCH
OPTIONAL**

**Non-CDL Chassis
GVWR <26,000lb**



VST-55-HDI shown with Material Handling option.

**NEW
INNOVATIVE
SOLUTION**

Lighter, More Reliable Design
on a Non-CDL Chassis

VERSALIFT®

VST-55-HDI

Non-CDL Insulated Articulated/Telescopic Aerial Device



GENERAL SPECIFICATIONS:

Horizontal Reach	33 ft 5 in (10.2 m)
Maximum Platform Capacity	600 lbs (272 kg)
Inner Boom Extension	103 in (2.6 m)
Outer/Inner Boom Articulation	-25° to +80°
Lower Boom Articulation	81°
Rotation	360° Continuous

WITH STANDARD PEDESTAL:

Height to Bottom of Platform	54 ft 6 in (16.6 m)
Working Height	59 ft 6 in (18.2 m)
Stowed Travel Height	11 ft 1 in (3.4 m)

INSULATION GAP:

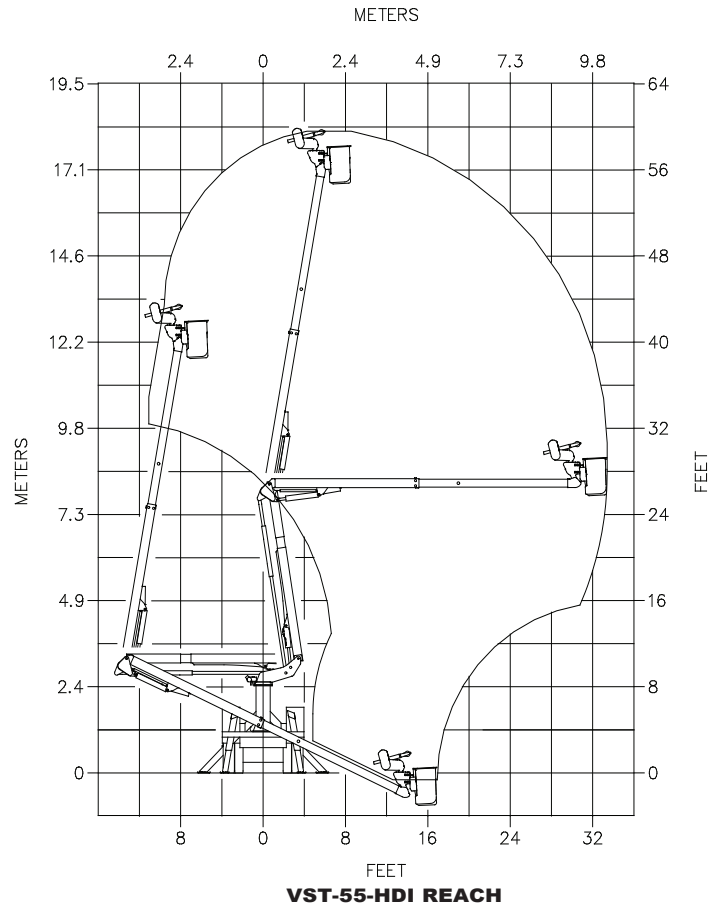
Upper Boom Fully Retracted	54 in (1.4 m)
Lower Boom	12 in (305 mm)

HYDRAULIC SYSTEM:

Operating Pressure	3000 psi (207 bar)
Flow Rate	6 gpm (22.7 lpm)
System Type	Open Center

OPTIONS:

- Auxiliary Outriggers
- Second Set of Tool Power Ports
- Platform Elevator
- Various Pedestal Heights
- Automatic Boom Latch
- SlopeMAX
- Hydraulic Jib/Winch (Reduces Platform Capacity 100 lbs)
- Jib up to 1000 lb (454 kg) capacity



Note: Specifications on units may vary or change without prior notification due to option selections.

REV. 03/24

VERSALIFT is a leading manufacturer of bucket trucks, digger derricks and cable placers. Customers in the electric utility, telecommunications, forestry and sign, light & traffic industries experience a lower true cost of ownership by choosing Versalift. Our equipment is engineered to be lighter, while keeping the designs simple, which provides advantages like less unscheduled maintenance, greater payloads and ease of maintenance. Versalift has the lowest recall rate in the industry making it the smarter and most reliable choice. Versalift aerial lifts are the only units to feature the patented TruGuard® safety system, which provides additional protection to linemen in the bucket. Versalift is a Time Manufacturing Company, and together with Aspen Aerials has more than 2,000 employees worldwide.

REV. 03/19